

IP300  
IL300

MITRE SAWS

WOOD be nice.

OMEGA



# 1P300 1L300

MITRE SAWS.

**SERIES L:** PORTABLE MACHINES WITH TILTING ON VERTICAL AXIS

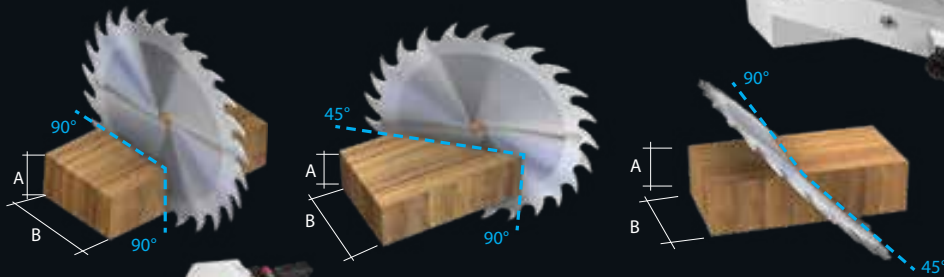
**SERIES P:** HEAVY-DUTY INDUSTRIAL MACHINES WITH TILTING ON VERTICAL AXIS

Positive stops at 45°, 30°, 22° 30' and 15° on both sides of the rotation. A manual locking device for all the intermediate angles provides a great flexibility to this unit. A manual locking device for accurate angle setting. The direct drive transmission and induction motor make of the 1P 300 - 1L 300 the ideal tool for heavy duty industrial usage (HM saw blade included).

All versions are complete with :

Saw blade Ø300 mm in HM, Z= 62

- Angle positioning with mechanical stop at : 90° - 15° - 22° 30' - 30° - 45° R.H. and L.H. side.
- ON/OFF buttons on control handle. Motor brake
- Quick release of saw guard for easy saw blade replacement and automatic locking at next cycle.
- Bearing on pivot point for descent for smooth and steady cutting action.
- Ball bearing on rotation of table for easy and smooth angle positioning.
- Strong back fence in aluminium extrusion, 60 mm high, with slides to receive the adjustable mobile fence as an option.
- Preset to receive front clamps.
- Depth cut capacity, max. 120 mm.



OPTIONAL



Stand (1P 300 - 1L 300)



Manual horizontal clamp (1P 300)



Pneumatic horizontal clamp (1P 300)



**1L300**



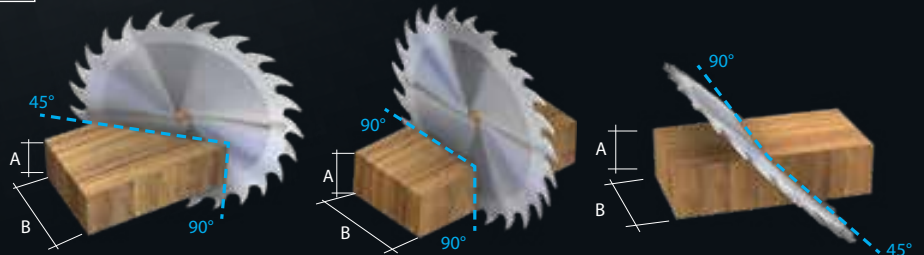
1) Quick release of saw guard for easy saw blade replacement.



2) Ball bearing on rotation of table for easy and smooth angle positioning.



3) Angle positioning with mechanical stop at : 90° - 15° - 22° 30' - 30° - 45° R.H. and L.H. side



Adjustable mobile fences (1P300 - 1L300)



Dust collecting hose (1P300 - 1L300)



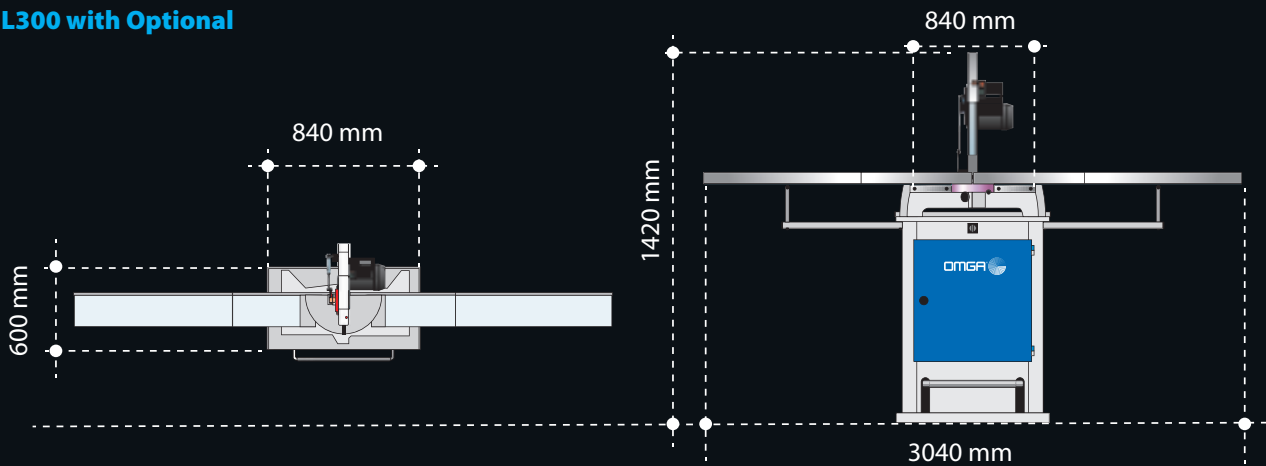
Fence extension + manual flip over stop (1P300 - 1L300)



Manual horizontal clamp (1L 300)

	1L300	1P 300
Cross cut capacity 90°	5 7/8"	5 1/2"
Cross cut capacity 45°	3 15/16"	3 15/16"
Max. depth of cut	3 1/8"	3 1/8"
Max. depth head at 45°	1 3/8"	1 1/16"
Motor power HP	1.75	1.75
Saw bore	30 mm	30 mm
Saw diameter	12"	12"
Arbor speed RPM	3400	3400
Dust chute	60 mm	60 mm
Mitre positive stops	90°- 45°- 30°- 22°30'- 15°	90°- 45°- 30°- 22°30'- 15°
Table size	19 11/16" x 6"	29 1/2" x 6"
Crated dimensions	24" x 20" x 22 1/2"	30 11/16" x 22" x 19"
Approx. shipping weight lbs.	47	51

### 1L300 with Optional



2900204589.01

### OMGA Industries, Inc.

3705 William Richardson Drive  
 South Bend, IN 46628  
 USA  
 Tel.: +1 (574) 243-0120  
 Fax: +1 (574) 243-0216  
 Toll Free: 1-800-233-OMGA (6642)  
 E-mail: info@omgainc.com

[WWW.OMGAINC.COM](http://WWW.OMGAINC.COM)

