

TR2A·VIS·NC  
TR2B·VIS·NC  
TR2B I INT VIS·NC

DOUBLE MITRE SAWS

WOOD be nice.

OMGA



OMGA

TR2B I INT NC



OK



# TR2A-VIS-NC TR2B-VIS-NC TR2B I INT VIS-NC

## DOUBLE MITRE SAWS

### TR 2A - TR 2B

- Simultaneous down stroke of heads.
- Alternating down stroke of saws to avoid collision in cutting short pieces.
- Down stroke of only one head for individual cuts.
- Self-centering locking on angle positions 90° - 45° R.H.S and 45° L.H.S. Manual locking on intermediate angle.
- Fixed left head. Positioning of the right head by hand wheel and reading of position on ruler.
- Electronic digital read out (2).
- Automatic positioning through Numerical Control (1): Graphic display with 30 characters over 8 lines. Constant values to compensate width for angle cutting. 10,000 lines memory capacity. Serial Port RS 232, USB Port.

### TR 2B I INT

- Self-centering locking on angle positions 90° - 45° R.H.S and 45° L.H.S. Manual locking on intermediate angle position.
- Fixed left head. Positioning of the right head by hand wheel, display of size on digital read out with constants (2).
- Automatic positioning through Numerical Control (1)
- Serial Port RS 232, USB Port.
- Simultaneous down stroke of heads.
- Down stroke of only one head for individual cuts.
- Automatic cycle with alternating down stroke of saws with pneumatic carriage. (Optional).

All double-mitre saws are equipped with vertical clamps.



1 TR 2 A NC  
TR 2 B NC  
TR 2 B I INT NC



2 TR 2 A VIS  
TR 2 B VIS  
TR 2 B I INT VIS

Automatic positioning through Numerical Control: Graphic display with 30 characters over 8 lines. Constant values to compensate width for angle cutting. 10,000 lines memory capacity.

Electronic digital read out.



OPTIONAL



Brackets for short pieces.



Front clamps: for a better holding of the pieces during the cut.



Support with clamp. (TR2B I INT)



Label printer. For NC version



Pneumatic carriage between the two heads for the automatic shifting of the work piece when cutting short pieces. (TR2B I INT)



The heads are tiltable towards the inside for the perfect cut of the door jambs, without any chipping on the good side. (TR2B I INT)

#### Other Accessories:

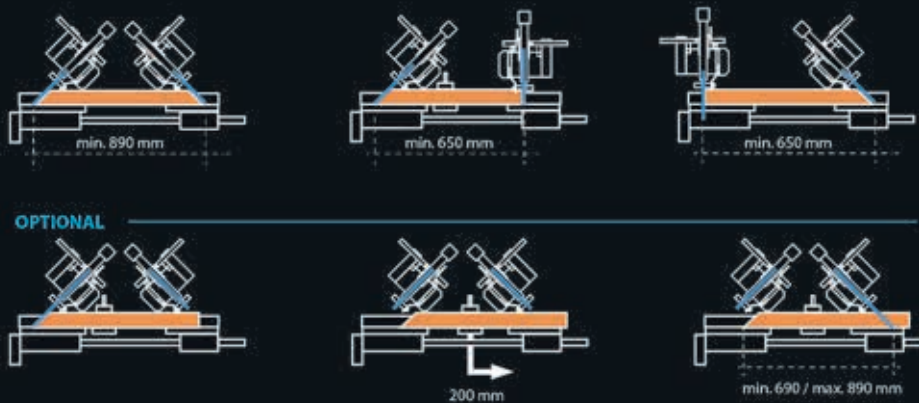
- Oil pneumatic downstroke

	TR2A-VIS-NC	TR2B-VIS-NC	TR2B I INT VIS-NC
Max. distance between saws	9' 2"	9' 2"	9' 2"
Min. distance between saws 90 Deg.	8 3/4"	13 3/16"	23 5/8"
Min. distance between saws 45 Deg.	15 1/8" 6 11/16" (+ opt. + alt.)	18 1/8" 9 7/16" (+ opt. + alt.)	23 5/8"
Cross cut capacity 90 Deg.	5 1/2"	6 1/2"	6 3/4"
Cross cut capacity 45 Deg.	4"	4 1/2"	4 1/2"
Max. Depth of Cut	3 1/2"	4 1/4"	4 1/4"
Motor Power HP	2 x 3 HP	2 x 3 HP	2 x 4 HP
Max. Beveled Cross Cut	N/A	N/A	6 3/4"
Saw Bore	1"	1"	1"
Saw Diameter	12"	14"	370 mm (15")
Arbor Speed RPM	3200	3200	3200
Dust Chute	2 x 3 1/8"	2 x 3 1/8"	2 x 3 1/8"
Crated Dimensions	150" X 39" X 44"	150" X 39" X 53"	152" X 45" X 65"
Approx. Shipping Weight Lbs.	1.438	1.573	1.753

\* Optional

\*\* Only for TR2ANC-TR2BNC

\*\*\* Alternated down stroke of saws to avoid collision in cutting short pieces.



# Pneumatic carriage between the two heads for the automatic shifting of the work piece when cutting short pieces. (TR2B I INT)



2900204540.01

### OMGA, Inc.

3705 William Richardson Drive  
South Bend, IN 46628  
USA

Tel.: +1 (574) 243-0120

Fax: +1 (574) 243-0216

Toll Free: 1-800-233-OMGA (6642)

E-mail: info@omgainc.com

[WWW.OMGAINC.COM](http://WWW.OMGAINC.COM)

**OMGA**<sup>®</sup>  
WOOD be nice.