

TR2A·VIS·NC
TR2B·VIS·NC
TR2B I INT VIS·NC

DOUBLE MITRE SAWS

WOOD be nice.

OMGA



OMGA

TR2B I INT NC



OK

TR2A·VIS·NC TR2B·VIS·NC TR2B I INT VIS·NC

DOUBLE MITRE SAWS

TR 2A - TR 2B

- Simultaneous down stroke of heads.
- Alternating down stroke of saws to avoid collision in cutting short pieces.
- Down stroke of only one head for individual cuts.
- Self-centering locking on angle positions 90° - 45° R.H.S and 45° L.H.S. Manual locking on intermediate angle.
- Fixed left head. Positioning of the right head by hand wheel and reading of position on ruler.
- Electronic digital read out (2).
- Automatic positioning through Numerical Control (1): 7" Touch Screen Display. Constant values to compensate width for angle cutting. Serial Port RS 232, USB Port. RJ45 Port.

TR 2B I INT

- Self-centering locking on angle positions 90° - 45° R.H.S and 45° L.H.S. Manual locking on intermediate angle position.
- Fixed left head. Positioning of the right head by hand wheel , display of size on digital read out with constants (2) .
- Automatic positioning through Numerical Control (1)
- Serial Port RS 232, USB Port.
- Simultaneous down stroke of heads.
- Down stroke of only one head for individual cuts.
- Automatic cycle with alternating down stroke of saws with pneumatic carriage. (Optional).

All double-mitre saws are equipped with vertical clamps.



1 TR 2 A NC
TR 2 B NC
TR 2 B I INT NC



2 TR 2 A VIS
TR 2 B VIS
TR 2 B I INT VIS

Automatic positioning through Numerical Control (1): 7" Touch Screen Display. Constant values to compensate width for angle cutting. Serial Port RS 232, USB Port. RJ45 Port.

Electronic digital read out.



OPTIONAL



Brackets for short pieces.



Front clamps:
for a better holding of the pieces during the cut.



Support with clamp.
(TR2B I INT)



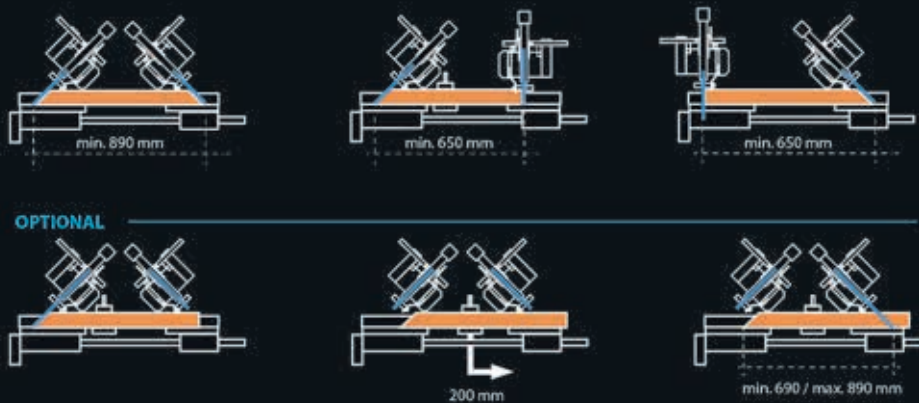
Label printer.
For NC version

	TR2A-VIS-NC	TR2B-VIS-NC	TR2B I INT VIS-NC
Max. distance between saws	9' 2"	9' 2"	9' 2"
Min. distance between saws 90 Deg.	8 3/4"	13 3/16"	23 5/8"
Min. distance between saws 45 Deg.	15 1/8" 6 11/16" (+ opt. + alt.)	18 1/8" 9 7/16" (+ opt. + alt.)	23 5/8"
Cross cut capacity 90 Deg.	5 1/2"	6 1/2"	6 3/4"
Cross cut capacity 45 Deg.	4"	4 1/2"	4 1/2"
Max. Depth of Cut	3 1/2"	4 1/4"	4 1/4"
Motor Power HP	2 x 3 HP	2 x 3 HP	2 x 4 HP
Max. Beveled Cross Cut	N/A	N/A	6 3/4"
Saw Bore	1"	1"	1"
Saw Diameter	12"	14"	370 mm (15")
Arbor Speed RPM	3200	3200	3200
Dust Chute	2 x 3 1/8"	2 x 3 1/8"	2 x 3 1/8"
Crated Dimensions	150" X 39" X 44"	150" X 39" X 53"	152" X 45" X 65"
Approx. Shipping Weight Lbs.	1.438	1.573	1.753

* Optional

** Only for TR2ANC-TR2BNC

*** Alternated down stroke of saws to avoid collision in cutting short pieces.



Pneumatic carriage between the two heads for the automatic shifting of the work piece when cutting short pieces. (TR2B I INT)



2900204540.02

OMGA, Inc.

3705 William Richardson Drive
South Bend, IN 46628
USA

Tel.: +1 (574) 243-0120

Fax: +1 (574) 243-0216

Toll Free: 1-800-233-OMGA (6642)

E-mail: info@omgainc.com

WWW.OMGAINC.COM

OMGA[®]
WOOD be nice.